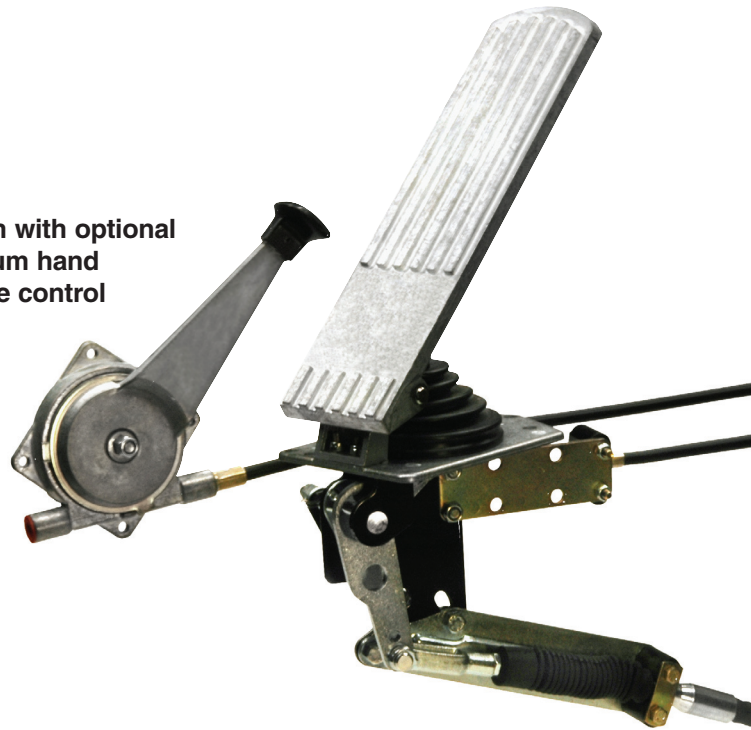


# Heavy-Duty Throttle

## Foot Control

Shown with optional  
Unidrum hand  
throttle control



## Foot Control Industrial

The 165-574-001 and -002 throttle pedals are intended for medium and heavy-duty trucks, construction and farm equipment, and buses. The -001 configuration is a foot throttle only design. The -002 configuration adds hardware allowing for a manual remote hand operated throttle control. A torsion spring is incorporated for idle position return. Environmental contamination is minimized by a plastic boot installed between the pedal and mounting base. Idle pedal position and throttle travel is adjustable to meet user requirements. The entire lower portion of the assembly can be inserted through a cutout in the floor, and will rotate 360° and down 30° maximum from horizontal to optimize throttle cable routing. Multiple fastener holes are incorporated into the base to accommodate different mounting patterns. The pedal surface is ribbed to reduce foot slippage and increase strength. Corrosion-resistant die cast components, plated steel hardware, and plastic bushings all provide years of smooth, trouble-free service.



### Description:

Heavy-Duty Throttle  
Industrial Pedal Foot Control

### Applications:

- Medium-duty trucks
- Heavy-duty trucks
- Construction equipment
- Farm equipment
- Buses

### Features:

- Die cast & steel components
- Multiple base bolt patterns
- Spring returned pedal
- Adjustable pedal angle
- Throttle cable exit is adjustable
- Travel: 2.00" maximum
- -25°F — 160°F temp range (-14°C — 90°C)
- Corrosion-resistant die cast components, plated steel hardware, and plastic bushings

### Other Related Products:

- Pull-Only Cable
- Rod End
- Unidrum

# Heavy-Duty Throttle

## Material

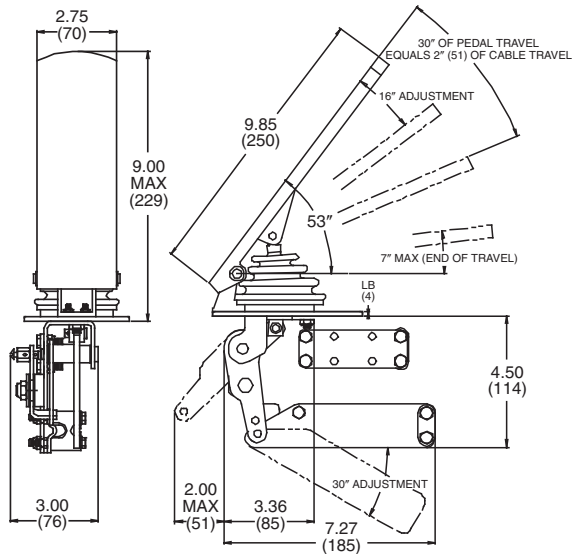
- Coated sheet metal
- Plastic bushings
- Plastic boot plated steel hardware

## Suggested End Fittings

- Clevis and pin, or end fitting with right angle bend

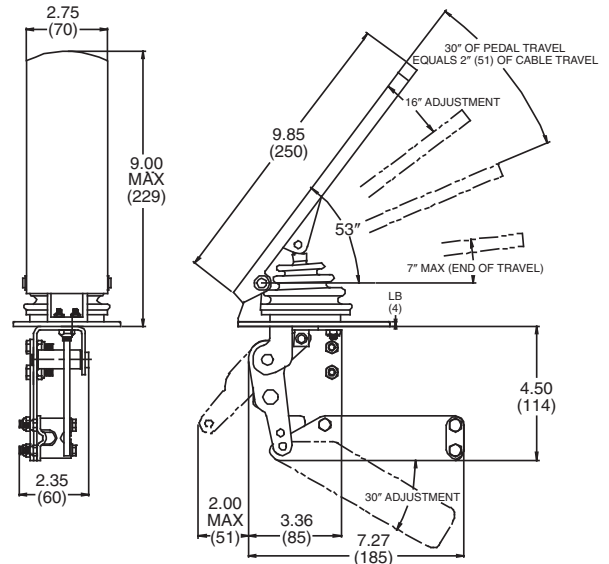
## Standard Pedal 165-574-001

For use with one Pull-Only accelerator cable.



## Standard Pedal 165-574-002

Additional cable mounting bracket for use with a hand throttle (see Unidrum).

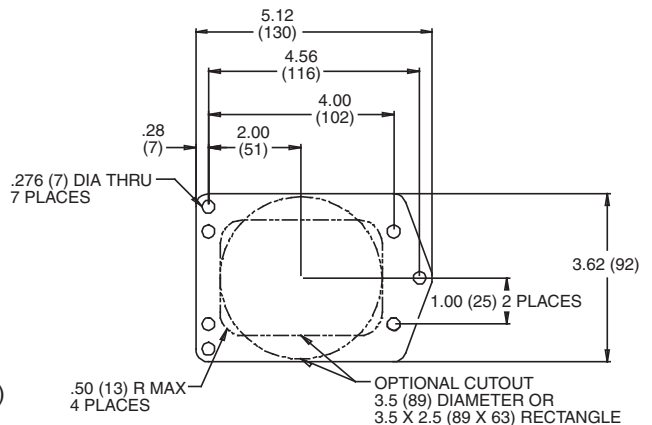


## Fast and Economical Installation

A throttle cable simplifies the installation, providing a complete system to suit many applications.

The pedal tower mechanism is designed to be dropped through the floor and secured. Cable attachment can then be quickly and easily completed.

All line art dimensions are represented as follows: in (mm)



## WARNING!

Since the manufacturer is unable to determine all applications in which a part may be placed, it is the user's responsibility to determine the suitability of the part for its intended use. This is especially true where safety is a factor. Incorrect application or installation may result in property damage, bodily injury, or death. For technical assistance, call 260-749-5105.

**Cablecraft**  
Cablecraft Motion Controls

2110 Summit Street  
New Haven, Indiana USA 46774  
Tel 260 749-5105 Fax 260 749-5677

4401 South Orchard Street  
Tacoma, Washington 98411 USA  
Tel 253 475-1080 Fax 253 474-1623

Diplocks Way-South Road  
Hailsham, East Sussex BN27 3JF, England  
Tel 44 1323 841510 Fax 44 1323 845848

[www.cablecraft.com](http://www.cablecraft.com)