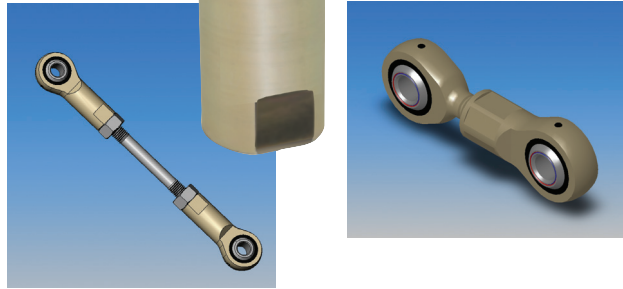
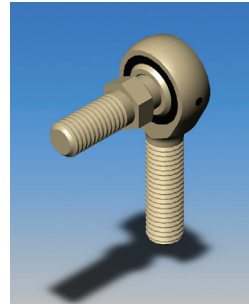


# SPM/SPF

Molded Race, Self-Lubricating



## Rod Ends Industrial/ Commercial

Suitable for many light and heavy/medium duty industrial/mechanical motion transfer applications, Cablecraft's most popular rod end series, the SPM/SPF Series offers an injection-molded, reinforced nylon raceway design. It delivers low maintenance, self-lubricating characteristics, as well as moisture-resistance properties adding to its overall versatility. Ball and body materials are produced from an economical low carbon steel and are zinc plated with yellow dichromate treatment for extended corrosion resistance (ball is case hardened for extended wear). Suited for applications requiring low friction, low moisture absorption, high wear resistance and/or wide operating temperature ranges. Studded and right or left-handed thread versions are available.

The SPM/SPF Series is just one of many within our broad line of industrial/commercial rod ends. For full product line detail, contact us for a comprehensive catalog or visit [www.cablecraft.com](http://www.cablecraft.com) and download individual product data sheets and other product information.



### Description:

SPM/SPF  
Industrial/Commercial Rod Ends  
Molded Race, Self-Lubricating

### Applications:

Numerous mechanical motion transfer devices/applications, including:

- Construction equipment
- Recreational vehicles (ATV's, golf carts, etc.)
- Truck/off highway

### Features:

- Nylon molded raceway delivers self-lubricating low friction and moisture-resistant performance
- Good wear resistance
- Design allows for control of breakaway torque, adding to its application versatility
- Can be used in a wide range of temperatures: -30°F — 220°F (-34°C — 104°C)
- Offered in studded and right or left-handed versions
- Special custom alloy construction available
- Custom assemblies can be built to your specifications
- Meets SAE spec J1120

### Other Related Products:

- MJ-M/FJ-M Metric Molded Race

# SPM/SPF

Molded Race,  
Self-Lubricating

## Material

### Ball

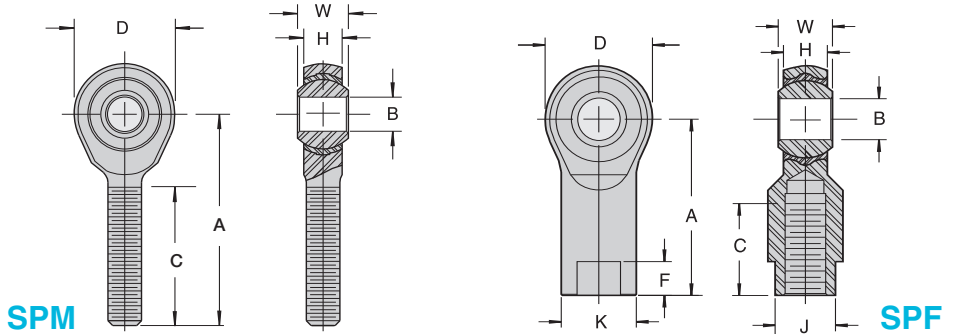
- Low Carbon Steel Case Hardened
- Zinc Plated, Yellow Dichromate Treated

### Body

- Low Carbon Steel
- Zinc Plated, Yellow Dichromate Treated

### Race

- Molded Self-Lubricating Reinforced Nylon



## SPM Male Chart

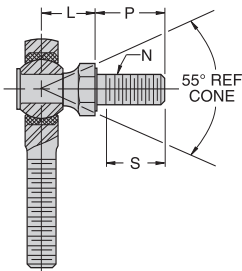
Part Number		B	W	H	A	D	C	UNF-2A		Ultimate Radial Static Load Capacity (Pounds)	Weight (Pounds)
Right Hand	Left Hand	+0.020 -0.000	±.005	REF	±.015	±.015	REF	±.060	Thread Length		
SPM3	SPML3	.1900	.312	.250	1.250	.625	.438	.750	10-32	1210	.023
SPM4	SPML4	.2500	.375	.281	1.562	.750	.516	1.000	1/4-28	2470	.040
SPM5	SPML5	.3125	.437	.344	1.875	.875	.625	1.250	5/16-24	2740	.071
SPM6	SPML6	.3750	.500	.406	1.937	1.000	.719	1.250	3/8-24	4210	.107
SPM7	SPML7	.4375	.562	.437	2.125	1.125	.812	1.312	7/16-20	5350	.148
SPM8	SPML8	.5000	.625	.500	2.437	1.312	.938	1.500	1/2-20	6430	.232
SPM10	SPML10	.6250	.750	.562	2.625	1.500	1.125	1.625	5/8-18	8300	.364
SPM12	SPML12	.7500	.875	.687	2.875	1.750	1.312	1.750	3/4-16	10900	.568

## SPF Female Chart

Part Number		B	W	H	A	D	K	J	F	C	UNF-2B		Ultimate Radial Static Load Capacity (Pounds)	Weight (Pounds)
Right Hand	Left Hand	+0.020 -0.000	±.005	REF	±.015	±.015	±.015	±.015	±.030	REF	±.060	Thread Length		
SPF3	SPFL3	.1900	.312	.250	1.062	.625	.406	.312	.406	.438	.562	10-32	1210	.036
SPF4	SPFL4	.2500	.375	.281	1.312	.750	.469	.375	.281	.516	.750	1/4-28	2470	.059
SPF5	SPFL5	.3125	.437	.344	1.375	.875	.500	.437	.281	.625	.750	5/16-24	2740	.077
SPF6	SPFL6	.3750	.500	.406	1.625	1.000	.687	.562	.312	.719	.937	3/8-24	4100	.146
SPF7	SPFL7	.4375	.562	.437	1.812	1.125	.750	.625	.625	.812	1.031	7/16-20	5350	.192
SPF8	SPFL8	.5000	.625	.500	2.125	1.312	.875	.750	.375	.938	1.187	1/2-20	6430	.313
SPF10	SPFL10	.6250	.750	.562	2.500	1.500	1.000	.875	.500	1.125	1.500	5/8-18	8300	.464
SPF12	SPFL12	.7500	.875	.687	2.875	1.750	1.125	1.000	1.000	1.312	1.562	3/4-16	10900	.672

Chart Notes: This series is also available in a studded configuration. Specify by adding "S" to suffix. Example: SPF8S

## Studded Dimensions



Rod End Bore Size	L	P	S	N
	REF	±.030	Min. Thread Length	Thread Size UNF-2A
3/16"	.437	.438	.375	10-32
1/4"	.469	.563	.500	1/4-28
5/16"	.531	.688	.594	5/16-24
3/8"	.625	.875	.781	3/8-24
7/16"	.844	1.062	.937	7/16-20
1/2"	.875	1.125	1.000	1/2-20
5/8"	1.000	1.125	1.000	5/8-18
3/4"	1.187	1.812	1.625	3/4-16

## WARNING!

Since the manufacturer is unable to determine all applications in which a part may be placed, it is the user's responsibility to determine the suitability of the part for its intended use. This is especially true where safety is a factor. Incorrect application or installation may result in property damage, bodily injury, or death. For technical assistance, call 260-749-5105.

**Cablecraft**  
Cablecraft Motion Controls

2110 Summit Street  
New Haven, Indiana USA 46774  
Tel 260 749-5105 Fax 260 749-5677

4401 South Orchard Street  
Tacoma, Washington 98411 USA  
Tel 253 475-1080 Fax 253 474-1623

Diplocks Way-South Road  
Hailsham, East Sussex BN27 3JF, England  
Tel 44 1323 841510 Fax 44 1323 845848

[www.cablecraft.com](http://www.cablecraft.com)

Linking Motion  
& Control...  
The Cablecraft  
Solution

