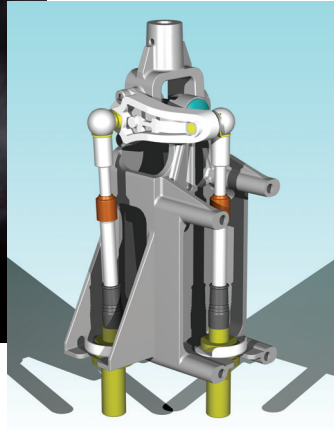


VGS Systems

Industrial Vertical Gear Shifter — 918 Series



VGS Industrial

The transportation industry has for many years searched for a reliable shift system to replace the cumbersome and maintenance-prone rod linkages commonly used in cab over trucks and rear engine buses. As the need has increased, vehicles become more refined to include the complexities of floating cabs, curb noise restrictions and specialty vehicles of all types.

Cablecraft Motion Controls has developed a systems approach that now makes remote shifting easier for both the vehicle builder and the operator.

Based on the proven quality and performance of Cablecraft low friction control cables, this system provides a maintenance-free, cost-effective approach to remote manual transmission shifting.

Cablecraft Motion Controls stands ready to solve your most challenging shifting problems with a full line of cab units and transmission connecting hardware to suit most applications.



Description:

VGS Systems
Industrial Vertical
Gear Shifter — 918 Series

Applications:

- Dash or center console mounted shifter
- Small commercial vehicles
- Servo assisted transmission — bus & coach applications
- Light plant/agricultural vehicles
- Low/medium duty cable applications

Features:

- Easy installation, adjustment free
- Maintenance-free life
- Ends gear jump out
- Clean precise shifts
- No knob-to-cab relative movement in floating cabs
- No action required to tilt cab
- Vibration from drive train is not transmitted
- Reduced cab noise levels
- Low cost
- Installation design to customer requirements
- Flexible capability with different cable end fittings

Other Related Products:

- HGS Systems — 923 Series
- HGS Systems — 925 Series

Material

Pressure Die-Cast Aluminum

Options:

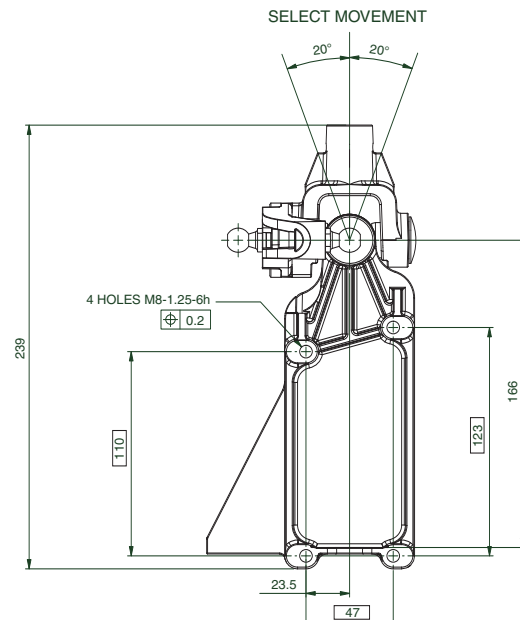
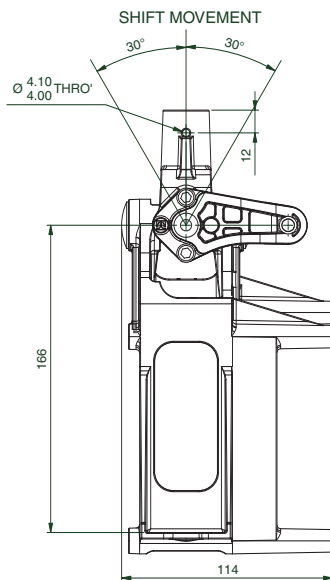
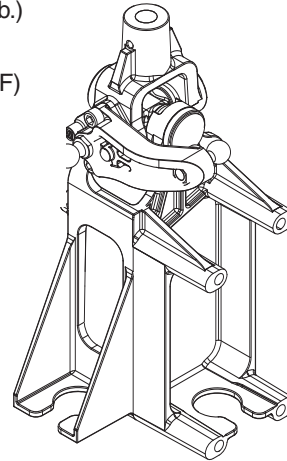
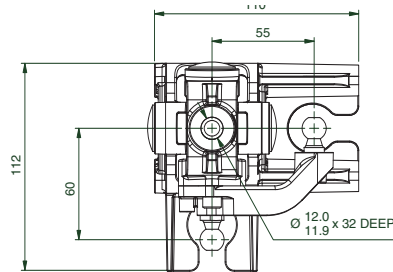
- Fully Sealed Unit Available
- Optional Gaiter Available
- Different End Fittings Available

Industrial Vertical Gear Shifter — 918 Series

Technical Data

- Recommended handle lengths: 160mm to 220mm (6-1/4" - 8-1/4" approx.)
- Normal working load @ knob = 3kg (6.6lb.) to 5kg (11lb.)
- Accidental overload @ knob = 100kg (220lb.)
- Operating temperatures: -40°C to 120°C (-40°F to 248°F)
- Weight: 1.1 kg (2.4 lb.)

3D CAD Models available upon request.



Complete Application Questionnaire found on the Manual Transmission Shifter catalog page or on our website. For more information on Industrial Gear Shifters, please contact our Hailsham division listed below.

WARNING!

Since the manufacturer is unable to determine all applications in which a part may be placed, it is the user's responsibility to determine the suitability of the part for its intended use. This is especially true where safety is a factor. Incorrect application or installation may result in property damage, bodily injury, or death. For technical assistance, call 260-749-5105.

Cablecraft
Cablecraft Motion Controls

2110 Summit Street
New Haven, Indiana USA 46774
Tel 260 749-5105 Fax 260 749-5677

4401 South Orchard Street
Tacoma, Washington 98411 USA
Tel 253 475-1080 Fax 253 474-1623

Diplocks Way-South Road
Hailsham, East Sussex BN27 3JF, England
Tel 44 1323 841510 Fax 44 1323 845848

www.cablecraft.com

Linking Motion
& Control...
The Cablecraft
Solution

